

860~930MHz PANEL ANTENNA

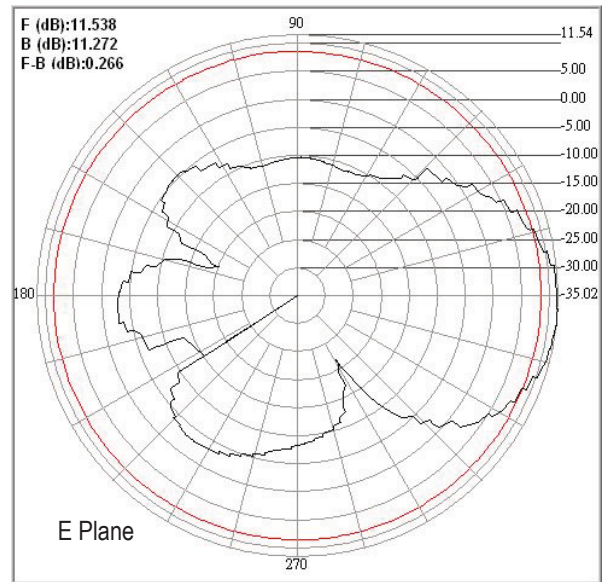
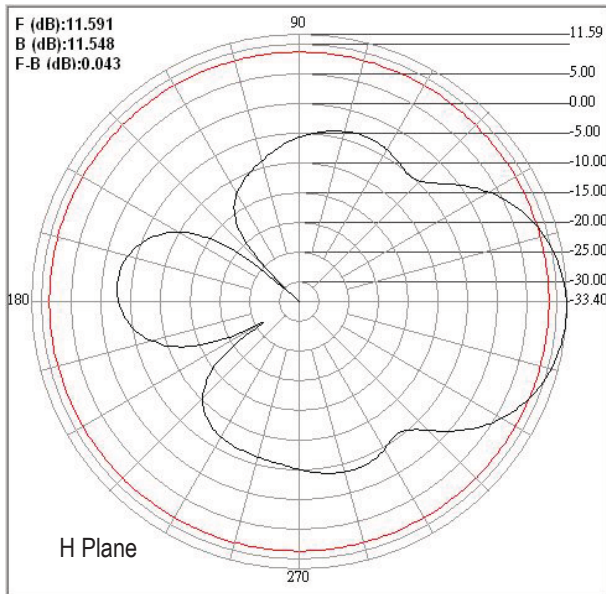
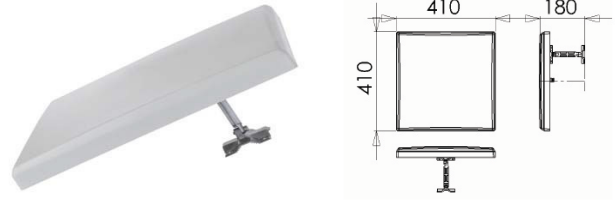
12dBi Part no. AP-8005

Electrical Specifications:

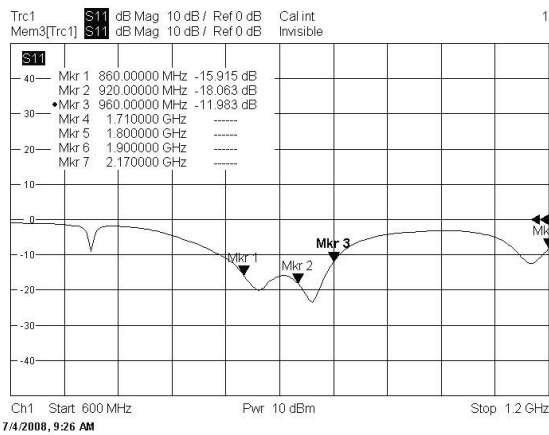
Frequency Range : 860~960MHz
 VSWR : ≤ 2.0
 Impedance : $50\Omega \pm 5\Omega$
 Gain : 12 dBi
 Polarization : Vertical
 Power Handling : 10 Watt
 Beam Width : H: 42.1 / E: 38.1

Mechanical Specifications:

Operation Temp. : $-30^{\circ}\text{C} \sim +60^{\circ}\text{C}$
 Material : ABS
 Mount : Zinc Alloy
 Dimension (L*W*H) : 410*410*180 mm
 Weight : $1350\text{g} \pm 20\text{g}$ (w/ mount)
 Color : COOL GRAY 5C



Return Loss



SWR

