

Outdoor Left or Right Hand Circularly Polarized Patch Antennas for mounting on Wall or Mast

DESCRIPTION

- > Low-profile antenna for the 380 - 470 MHz band.
- > PCPO xH/TETRA/... is a Left or Right Hand Circularly Polarized patch antenna for outdoor use.
- > Circular polarization is chosen to avoid out-of-phase signals.
- > Reduces flutter considerably.
- > Covers approx. 50 MHz with a radiation of approx. 7 dBic.
- > The antennas are carefully sealed with a discrete cover.
- > The connector is placed at one side to enable mounting close to a wall.
- > Including wall mounting bracket. PATCH-MAMO and PATCH-WAMO to be ordered separately.



ORDERING

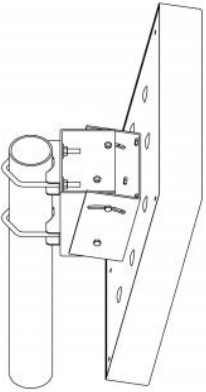
Model	Product No.	Frequency
PCPO RH/TETRA/s-f	100000428	380 - 430 MHz
PCPO LH/TETRA/s-f	100000427	380 - 430 MHz
PCPO RH/TETRA/l-h	100000443	430 - 470 MHz
PCPO LH/TETRA/l-h	100000444	430 - 470 MHz
PATCH-MAMO	100000447	
PATCH-WAMO	100000511	

SPECIFICATIONS

Electrical	
Model	PCPO xH/TETRA/...
Frequency	380 - 470 MHz covered by two models
Antenna Type	Left or right hand circularly polarized patch antenna
Max. Input Power	100 W
Polarisation	Circular
3 dB Beamwidth, E-Plane	80 °
3 dB Beamwidth, H-Plane	80 °
Impedance	50 Ω
Gain	7 dBic (5 dBd)
VSWR	< 2.0:1
In iBwave	Yes
Mechanical	
Connection(s)	N(f)
Materials	Cover: ABS (white) Chassis: Aluminium
Colour	Marine white
Dimensions	Approx. 345 x 345 x 60 mm / 13.58 x 13.58 x 2.36"
Wind Load	173 N (160km/h)
Weight	2.3 kg / 5.07 lb
Mounting	For mounting on wall - 5mm dia. (three holes) (see mounting details) or mast on 40 - 55 mm / 1.57 x 2.17" dia. mast tube.
Environmental	
Operating Temperature Range	-30°C to +75°C
Ingress Protection	IP55. The antenna has drain holes

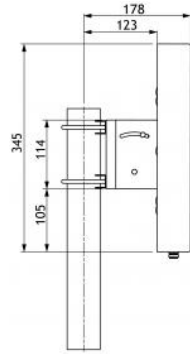
DIAGRAM

Mast mounting bracket: PATCH-MAMO (ordered separately)

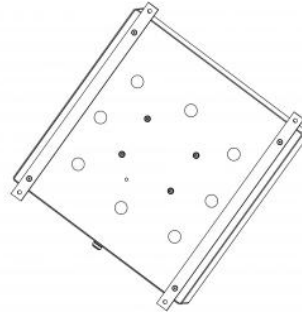


Tilt adjustable from +5°/-30°.

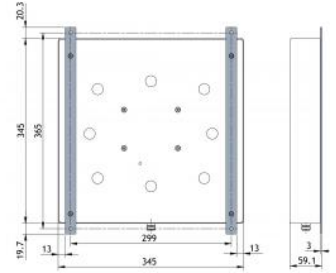
MOUNTING DETAILS (PATCH-MAMO)



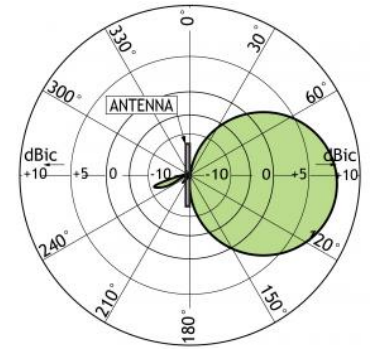
Wall mounting bracket: PATCH-WAMO (ordered separately)



MOUNTING DETAILS (PATCH-WAMO)

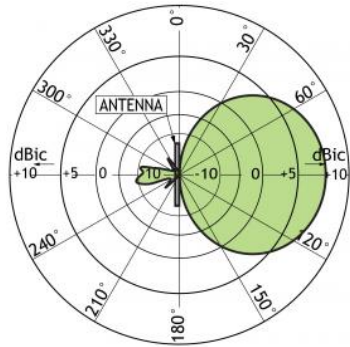


TYPICAL RADIATION PATTERN (E-PLANE)



This curve shows the radiation patterns in the vertical plane.

TYPICAL RADIATION PATTERN (H-PLANE)



This curve shows the radiation patterns in the horizontal plane (horizontal coverage).