

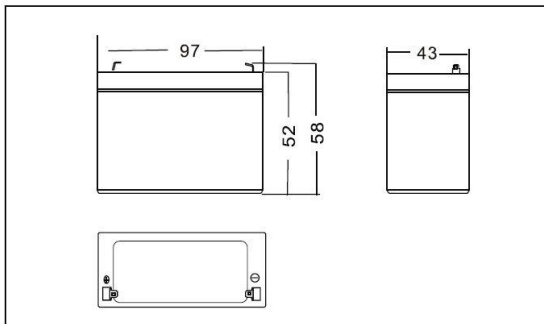
# Datasheet LA120013 (12V1,3Ah) Pb battery



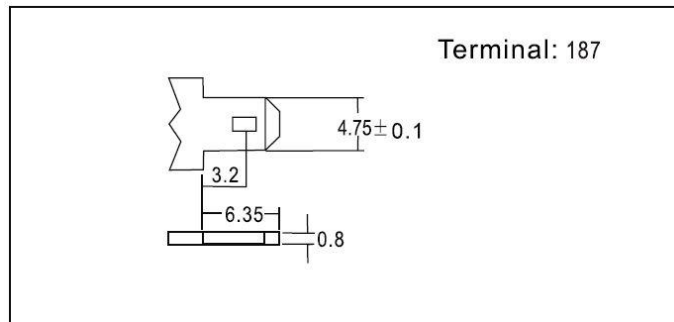
Specifications		
<b>Nominal voltage:</b>	12V	
<b>Rated capacity (20 hour rate):</b>	1,3Ah	
<b>Dimensions</b>	<b>Total Height</b>	58mm
	<b>Height</b>	52mm
	<b>Length</b>	97mm
	<b>Width</b>	43mm
<b>Weight approx.:</b>	0,56kg $\pm$ 5%	

Characteristics		
<b>Capacity 25°C (77°F)</b>	20 hour rate (0,065A)	1,30Ah
	10 hour rate (0,114A)	1,14Ah
	5 hour rate (0,208A)	1,04Ah
	1 hour rate (0,78A)	0,78Ah
<b>Internal Resistance</b>	Full charge Battery at 25°C (77°F)	110mΩ
<b>Capacity affected by temperature (20 hour rate)</b>	40°C (104°F)	102%
	25°C (77°F)	100%
	0°C (32°F)	85%
	-15° (5°F)	65%
<b>Self-Discharge at 25°C (77°F)</b>	Capacity after 3 month storage	91%
	Capacity after 6 month storage	82%
	Capacity after 12 month storage	64%
<b>Charge (constant voltage)</b>	Cycle	Initial Charging Current less than 0,39A Voltage 14,50 - 14,90V
	Float	Voltage 13,50 - 13,80V

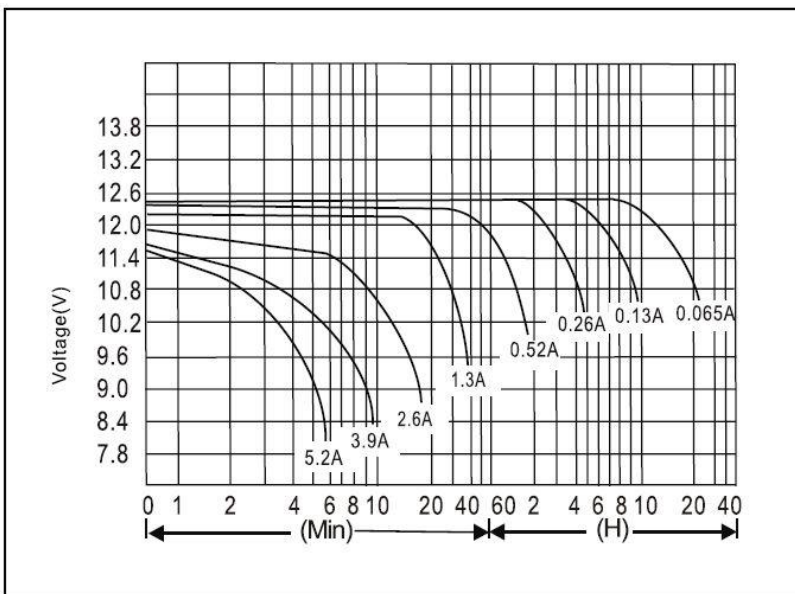
### Outer Dimensions (mm)



### Terminal Type (mm)



### Discharge Curves 25°C (77°F)



### Constant Current (AMP) and Constant Power (Watt) Discharge Table at 25°C (77°F)

Time		5min	10min	15min	30min	1h	2h	3h	4h	5h	10h	20h
9.60V	A	4.56	2.88	2.28	1.27	0.78	0.43	0.306	0.245	0.208	0.114	0.065
	W	50.9	32.5	26.0	14.6	9.0	4.99	3.64	2.92	2.48	1.38	0.74
9.90V	A	4.42	2.79	2.23	1.25	0.77	0.42	0.304	0.243	0.207	0.114	0.065
	W	49.4	31.5	25.4	14.3	8.9	4.96	3.61	2.90	2.47	1.37	0.74
10.20V	A	4.24	2.68	2.14	1.21	0.75	0.42	0.302	0.242	0.205	0.113	0.064
	W	47.3	30.2	24.4	13.8	8.7	4.91	3.59	2.88	2.45	1.36	0.73
10.50V	A	4.06	2.56	2.07	1.18	0.73	0.41	0.300	0.240	0.204	0.113	0.064
	W	45.3	28.9	23.8	13.5	8.5	4.84	3.56	2.86	2.44	1.35	0.73
10.80V	A	3.83	2.42	1.96	1.14	0.71	0.40	0.291	0.233	0.198	0.110	0.061
	W	42.7	27.3	22.4	13.0	8.2	4.72	3.46	2.77	2.36	1.32	0.72