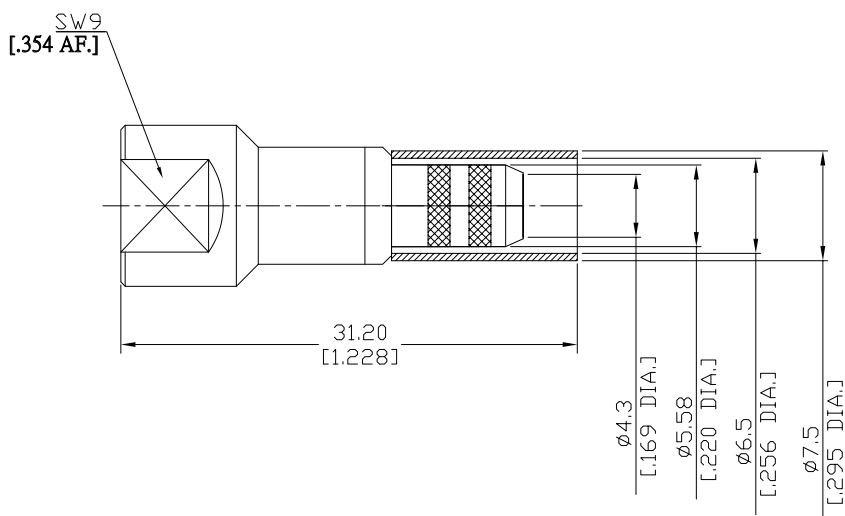


FME Straight Cable Plug

FME1C50-R240A/14



All dimensions are in mm [inch]  
Tolerances according to DIN ISO 2768-mH

**Interface**

According to N/A

**Electrical Data**

Impedance 50 Ω  
Frequency DC to 2.5 GHz

*- Limitations are possible due to the used cable type and manufacturing process -*

**Mechanical Data**

Coupling mechanisms Screw-lock  
Centre contact Soldered; Crimped  
Cable entry Crimped

**Environmental Data**

Temperature range -65°C to +165°C  
RoHS compliant

**Material And Plating**

Connector parts	Material	Plating
Centre contact	Brass	Gold plating(Nickel underplated)
Body	Brass	Copper-Tin-Zinc Alloy
Insulator	PTFE	
Crimp ferrule	Brass	Copper-Tin-Zinc Alloy

**Suitable Cables**

LMR 240, BELDEN 7808A, BELDEN 9258

**Packing**

Single or 100