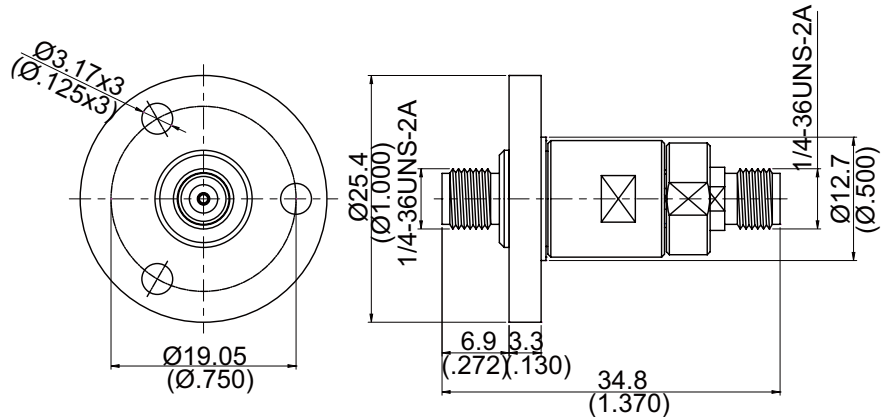


RJS-A8A8-P3 Rotary Joint SMA Jack To SMA Jack For Panel Receptacle 50Ω



Freq(GHz)	VSWR max	VSWR-WOW	Insertion Loss(dB)	Insertion Loss-WOW(dB)	Phase-WOW
DC~6 GHz	1.15	≤0.01	≤0.3	≤0.03	≤ 0.5°
6~12.4 GHz	1.3	≤0.02	≤0.4	≤0.05	≤ 1°
12.4~18GHz	1.4	≤0.03	≤0.6	≤0.1	≤ 1.5°

NOTE:

(1)VSWR-WOW:

VSWR rotational effect(WOW) is the change in VSWR that occurs rotation with around its axis and is the difference between the maximum and minimum values observed in one 360° rotation.

(2)Insertion Loss-WOW:

Insertion loss rotational effect(WOW) is the change in insertion loss that occurs with rotation around its axis and is the difference between the maximum and minimum values observed in one 360° rotation.

(3)Phase-WOW:

Phase rotational rotational effect(WOW) is the change in Phase with rotation around its axis and is the difference between the maximum and minimum values observed in one 360° rotation.

(4)Average power: 1GHz/200W ; 15GHz/40W; 18GHz/30W.

(5)Peak power: 18GHz/3000W.

(6)Continuous rotational speed (rpm): 100

(7)Operating temp: -40°C to +70°C.

Parts	Material	Plating (Micro-inch)
Wave Washer	Stainless Steel	Passivated
Spring	Stainless Steel	Passivated
Contact Pin	Beryllium Copper	Gold 4 Over Nickel-Phosphorus Alloy 80 Over Copper 20
Nut	Brass	Tin-Zinc-Copper-Alloy 100 Over Copper 50
Insulator	Teflon	
Ferrule	Brass	Tin-Zinc-Copper-Alloy 100 Over Copper 50
Body	Stainless Steel	Passivated
Flange	Stainless Steel	Passivated

Weight:

This part number complies with RoHS.

Notice: JYEBAO reserves the right to make modifications deemed appropriate.