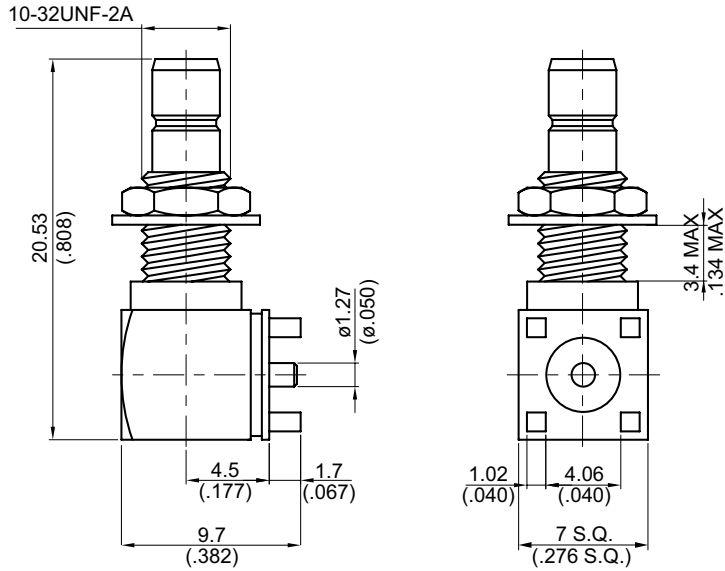
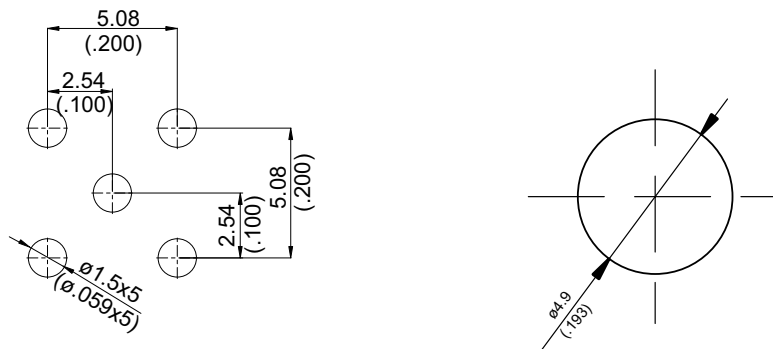


SMB8410-9000

SMB Jack P.C.B Surface Mount Right Angle



MOUNTING HOLE :



Parts	Material	Plating (Micro-inch)
Hex Nut	Brass	Gold 5 Over Nickel 50 Over Copper 50
Washer	Brass	Gold 5 Over Nickel 50 Over Copper 50
Cover	Brass	Gold 5 Over Nickel 50 Over Copper 50
Contact Pin	Brass	Gold 20 Over Nickel 50 Over Copper 50
Insulator	Teflon	
Housing	Brass	Gold 5 Over Nickel 50 Over Copper 50
Body	Brass	Gold 5 Over Nickel 50 Over Copper 50

Weight: 3.56 g

This part number complies with RoHS.

Notice: JYEBAO reserves the right to make modifications deemed appropriate.