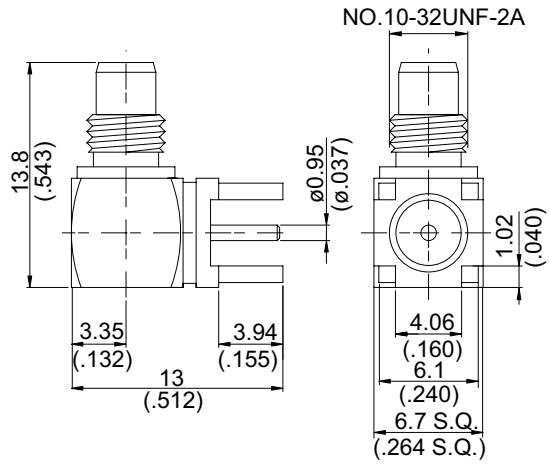
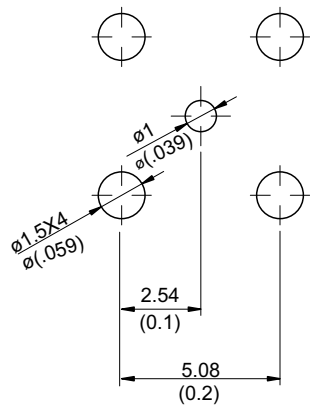


SMC8400-9000 **SMC Jack P.C.B. Mount Right Angle 50Ω**



MOUNTING HOLE :



Parts	Material	Plating (Micro-inch)
Cover	Brass	Gold 5 Over Nickel 50 Over Copper 50
Part	Brass	Gold 5 Over Nickel 50 Over Copper 50
Contact Pin	Brass	Gold 20 Over Nickel 50 Over Copper 50
Insulator	Teflon	
Housing	Brass	Gold 5 Over Nickel 50 Over Copper 50
Body	Brass	Gold 5 Over Nickel 50 Over Copper 50

Weight: 3.34 g

This part number complies with RoHS.
 Notice: JYEBAO reserves the right to make modifications deemed appropriate.