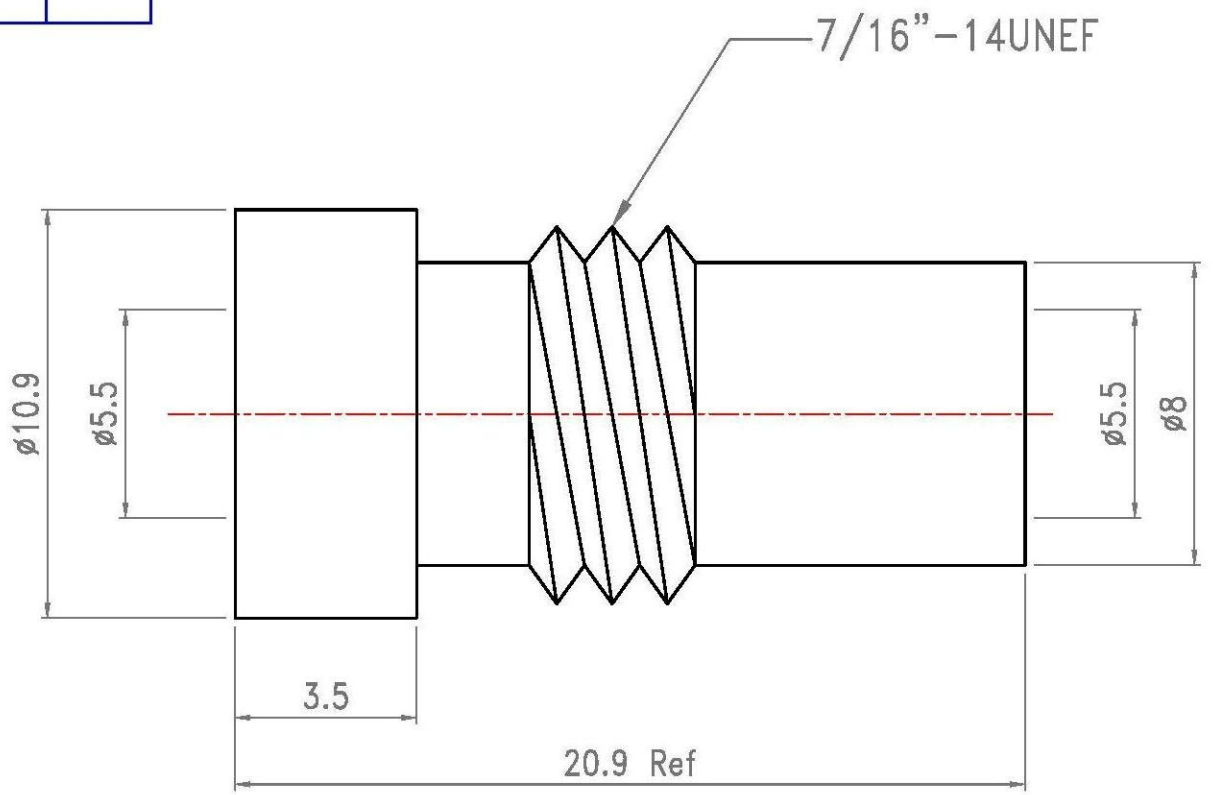


Revisions

Note: Revisions B; B-1; B-2..... On Behalf of Official Drawing.
 Revisions 1; 2; 3; 4..... On Behalf of Experiment's Drawing.

ISS	Symbol	Description	Date
B		CHE for New Drawing Frame & New PN System	2006/07/10



*Change new drawing frame in Blue Color since 2009/07/01 , to comply with Company CIS Policy.

RoHS COMPLIANCE

ITEM	Description	Material	Finish	Part Number	QTY	Scale	Abbr.	Date	Rev.	DWG.NO.	TITLE.	Customer P/N:
6						NTS	ST	2008/10/09	B	U121C0N10/Z-H	UHF Reducer for U102 (RG58 Cable)	
5												
4						Tolerances : X ±0.2 XX ±0.1 .XXX±0.05						
3						All Dimensions in mm (Unless Otherwise Specified)						
2						Drawn	Checked	Approved				
1	Body	Diecast	Nickel			Mark	Ryan	G. Sun				
						2008/10/09	2008/10/09	2008/10/09				