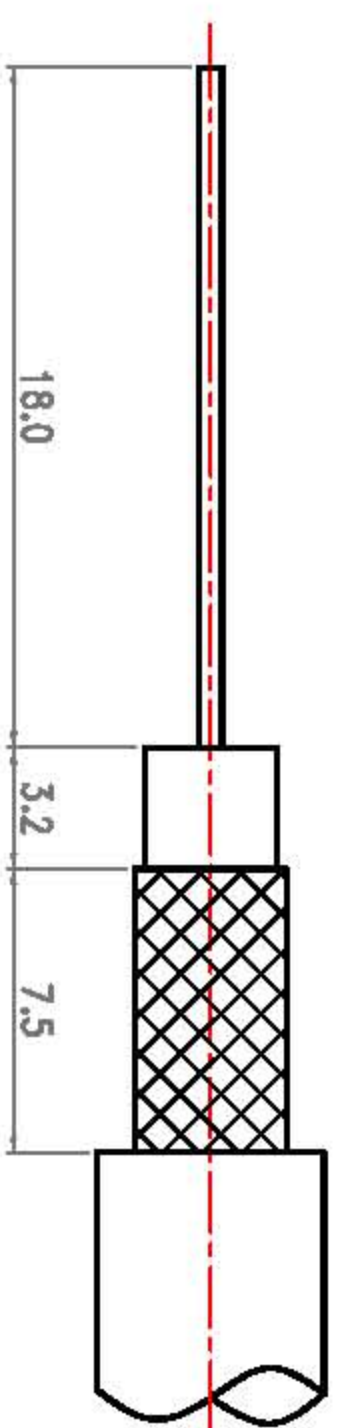
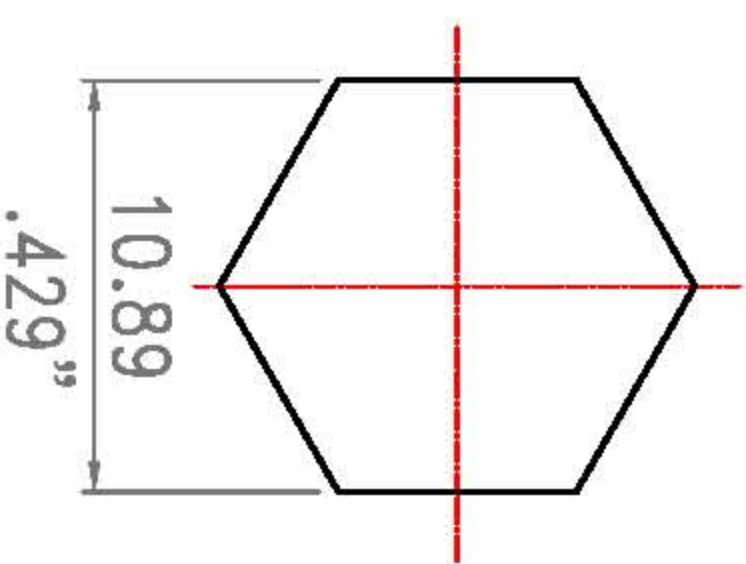
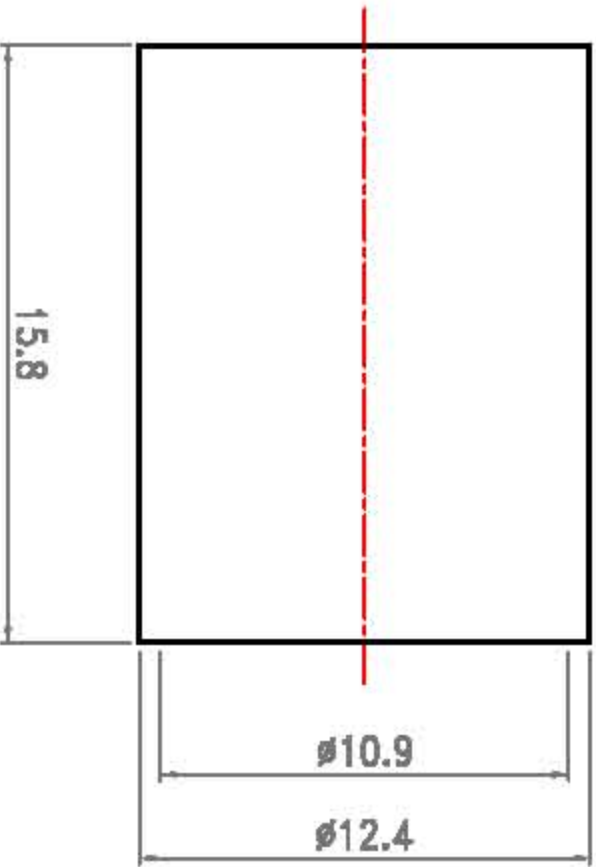
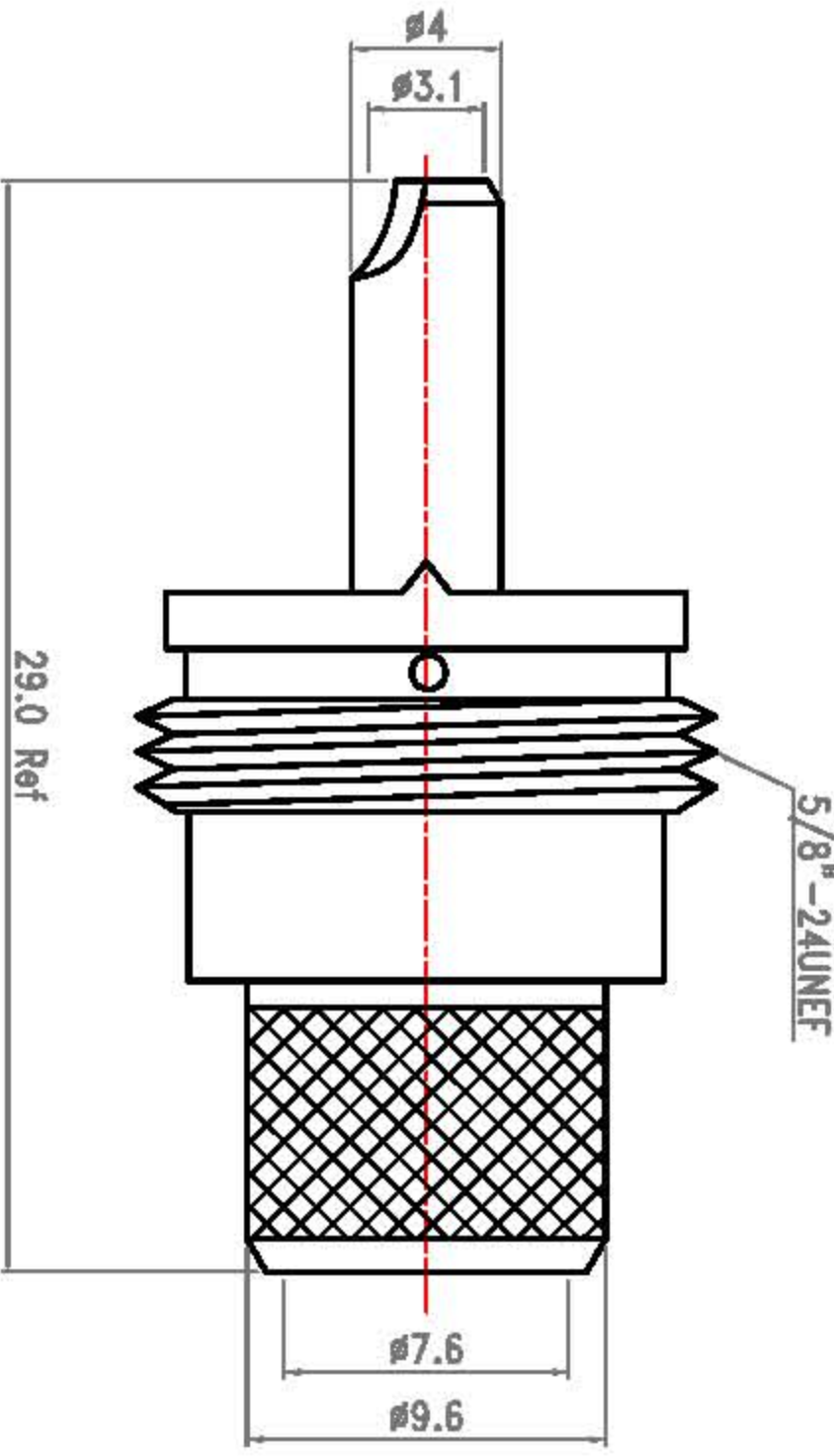
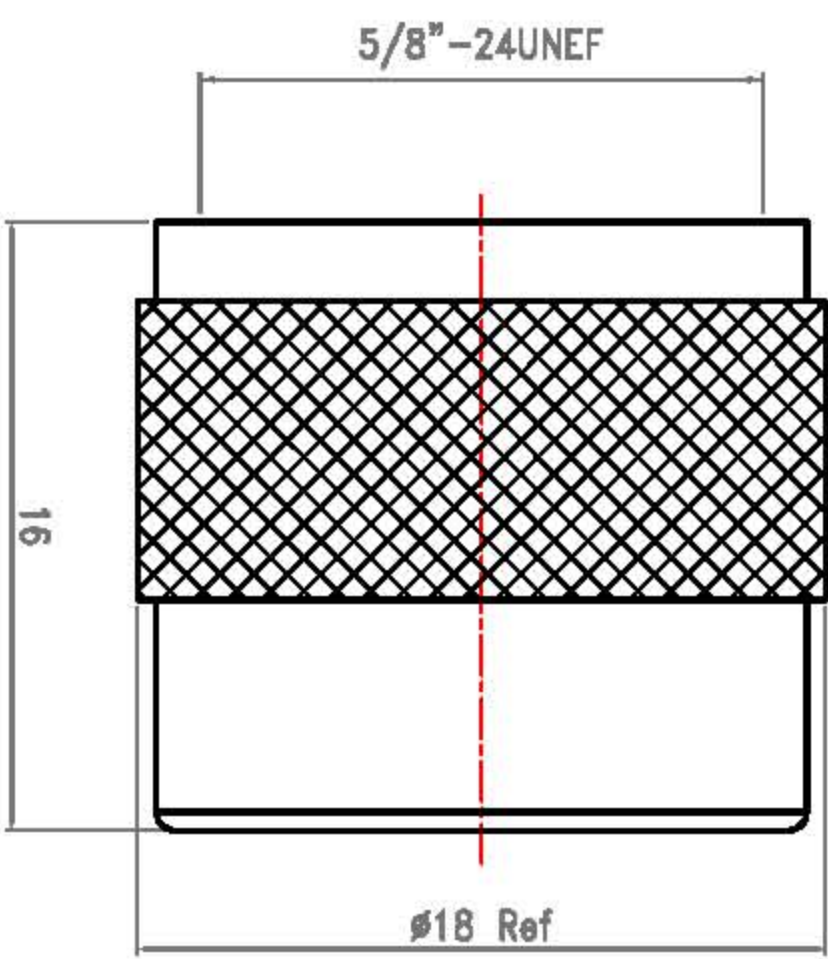


**Revisions**

Note: Revisions B: B-1; B-2..... On Behalf of Official Drawing. Revisions 1; 2; 3; 4..... On Behalf of Experiment's Drawing.			
ISS	Symbol	Description	Date
B		CHB for New Drawing Frame & New PN System	2006/07/10

**Outline Drawing**

**Note :**  
 Single Crimp: Providing recommended dimensions for ferrule.  
 Dual Crimp: Providing recommended dimensions for ferrule and center pin.  
 Please advise Single/Dual in advance to avoid any inconvenience.



**Recommended Cable Stripping Dimensions**

**Recommended Crimped Dimensions for Ferrule**

\*Change new drawing frame in Blue Color since 2009/07/01 , to comply with Company CIS Policy.

**RoHS COMPLIANCE**

ITEM	Description	Material	Finish	Part Number	QTY
6	Ferrule	Brass	Nickel		
5	Pin	Brass	Gold		
4	Insulator	Bakelite	Brown		
3	Body	Brass	Nickel		
2	Shell	Brass	Nickel		

Scale	Abbr.	Date	Rev.
NTS	ST	2010/09/17	B
Tolerances :			
X ±0.2			
XX ±0.1			
XXX±0.05			
Drawn	Checked	Approved	
<i>Mark</i>	<i>Ryan</i>	<i>G. Sun</i>	
2010/09/17	2010/09/17	2010/09/17	

Customer P/N:	
---------------	--

DWG.NO.	U101W1N05-B
TITLE	UHF Straight Single Crimp Plug for RG213 Cable , LMR400 Cable