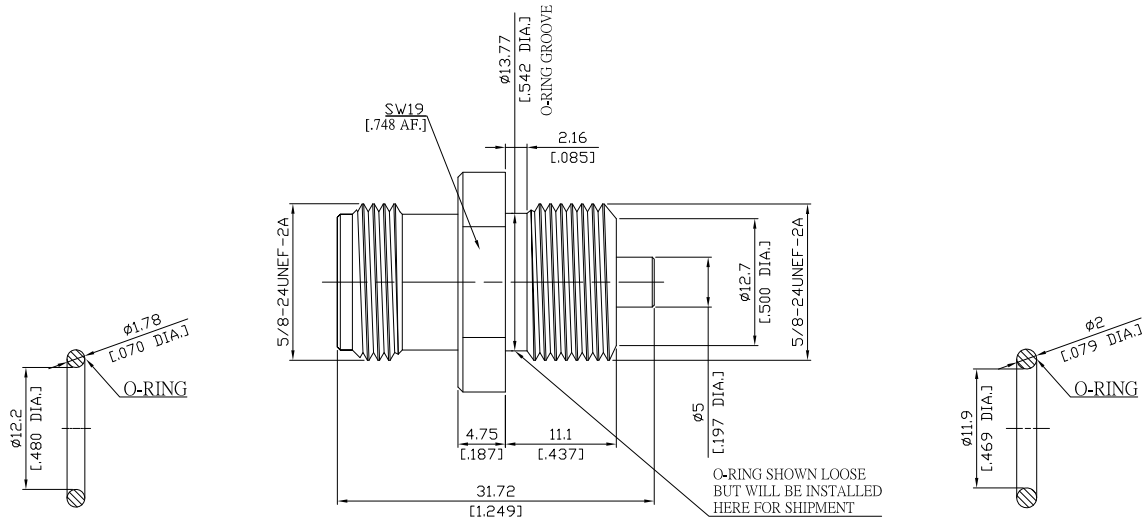


Bulkhead adaptor jack/jack
N jack (female) / MCX jack (female)

AD-N2M25A-BH/94-91



All dimensions are in mm [inch]
Tolerances according to DIN ISO 2768-mH

Interface

N Side According to IEC 60169-16, MIL-STD-348A/304
MCX Side According to IEC 60169-36

Electrical Data

Impedance 50 Ω
Frequency DC to 6 GHz
VSWR (Return Loss) ≤ 1.20 (≥ 20.8 dB)
Insertion Loss ≤ 0.05 x √F [GHz] dB

Mechanical Data

Coupling mechanisms N (Screw-lock) ; MCX (Snap-On)
Weight N/A

Environmental Data

Temperature range -55°C to +155°C
RoHS compliant
REACH compliant

Material And Plating

Piece Parts (N)	Material	Plating
Centre contact	Beryllium Copper	Gold plating(Nickel underplated)
Body	Brass	Copper-Tin-Zinc Alloy
Insulator	PTFE	

Piece Parts (MCX)	Material	Plating
Centre contact	Beryllium Copper	Gold plating(Nickel underplated)
Body	Brass	Gold plating(Nickel underplated)
Insulator	PTFE	

Packing

Single or 100

Related Document

Mounting Dimension MD114