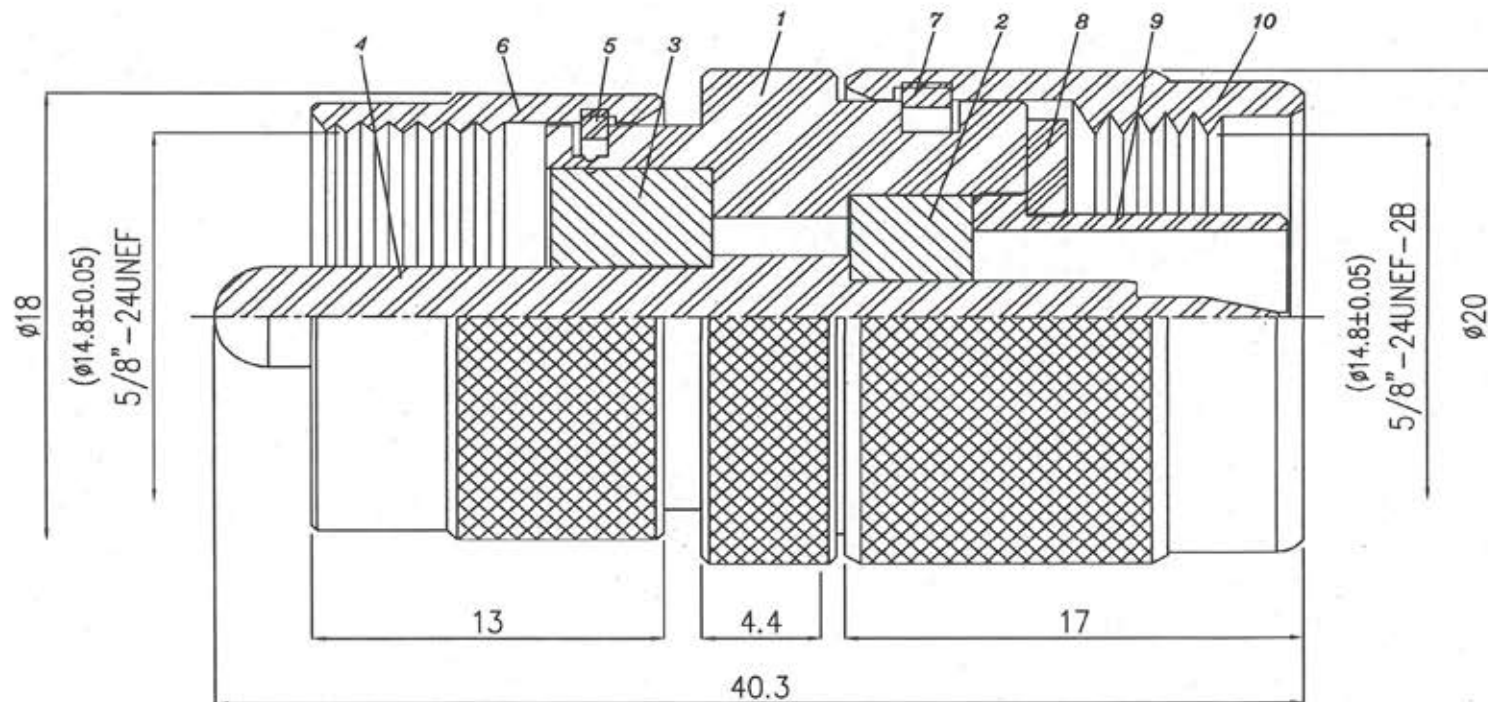


Adaptor UHF plug to N plug



NO	DESCRIPTION	Q'TY	MATERIAL	PLATING
1	BODY	1	BRASS	NICKEL 100 μ" MIN.
2	DIELECTRIC 1	1	POM	-
3	DIELECTRIC 2	1	POM	-
4	CENTER PIN	1	BRASS	GOLD 3-5 μ" MIN.
5	RETAINING RING	1	BRASS	-
6	SHELL	1	BRASS	NICKEL 100 μ" MIN.
7	RETAINING RING	1	BRASS	-
8	GASKET	1	RUBBER	-
9	PRESS FIT GROUND RING	1	BRASS	NICKEL 100 μ" MIN.
10	SHELL	1	BRASS	NICKEL 100 μ" MIN.

Unit in mm

Tolerances:

0-0.5mm ± 0.10mm	0.5-8mm ± 0.20mm
8-30mm ± 0.40mm	30-120mm ± 0.50mm

All material in accordance with RoHS + REACH!

Prep.:	Date:	Rev.:	Date:	Remark:	Prep.:	Check.:	Item No.:	NU.04
J.A.	20.03.15							
Check.:	Date:						Customer Item No.:	73631
							EAN Bar Code:	
Approv.:							All rights reserved	Page 1 of 1