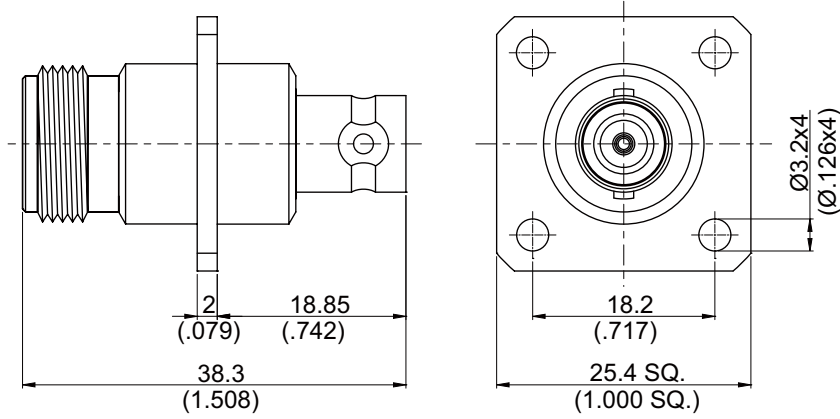
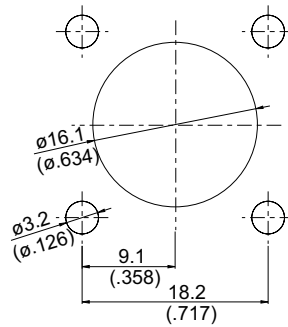


AD-N8B8-P4

N Jack To BNC Jack For Panel Receptacle 50Ω



MOUNTING HOLE:



Typical VSWR

Part Number	1 GHz	2 GHz	3 GHz	4 GHz
AD-N8B8-P4	1.08	1.09	1.2	1.23

Parts	Material	Plating (Micro-inch)
Contact Pin	Beryllium Copper	Gold 10 Over Nickel 50 Over Copper 50
Insulator	Teflon	
Body	Brass	Tin-Zinc-Copper-Alloy 100 Over Copper 50

Weight: 42.85 g

This part number complies with RoHS.

Notice: JYEBAO reserves the right to make modifications deemed appropriate.