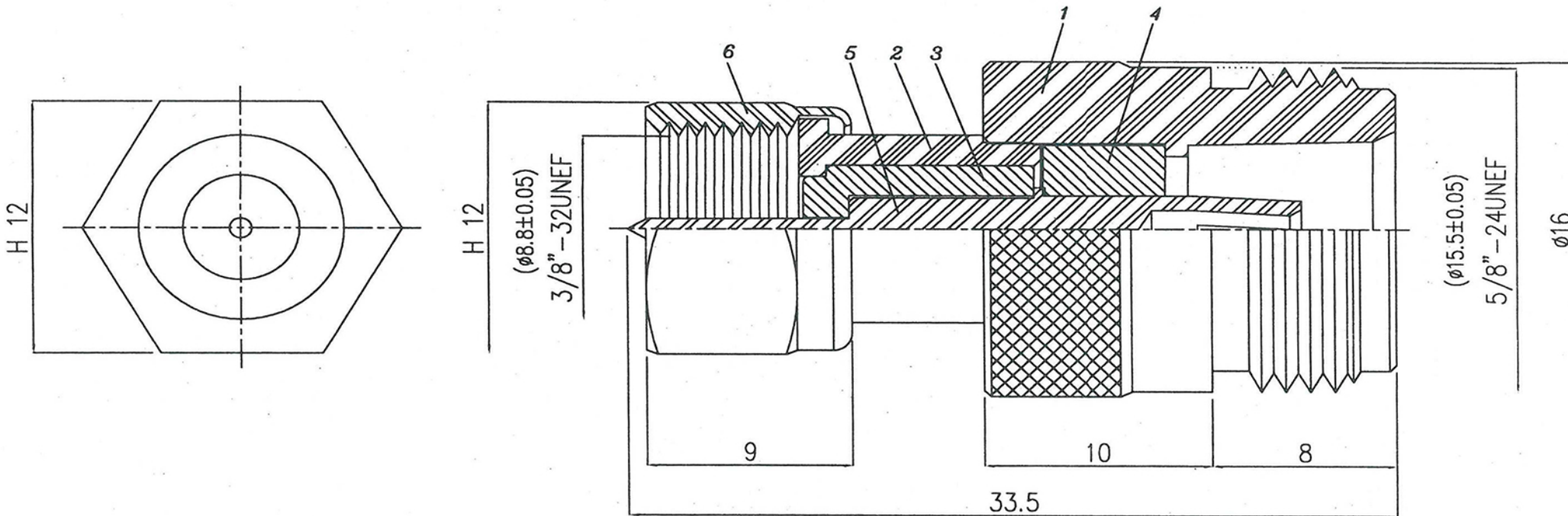


Adaptor F plug to N jack



NO	DESCRIPTION	Q'TY	MATERIAL	PLATING
1	BODY 1	1	BRASS	NICKEL 100µ" MIN.
2	BODY 2	1	BRASS	NICKEL 100µ" MIN.
3	DIELECTRIC 1	1	PTFE	-
4	DIELECTRIC 2	1	PTFE	-
5	CENTER PIN	1	BRASS	GOLD 3-5µ" MIN.
6	NUT	1	BRASS	NICKEL 100µ" MIN.

Unit in mm

Tolerances:

0-0.5mm ± 0.10mm	0.5-8mm ± 0.20mm
8-30mm ± 0.40mm	30-120mm ± 0.50mm

All material in accordance with RoHS + REACH!

Prep.:	Date:	Rev.:	Date:	Remark:	Prep.:	Check.:	Item No.:	FN01
J.A.	20.03.15							
Check.:	Date:						Customer Item No.:	72925
							EAN Bar Code:	
Approv.:							All rights reserved	Page 1 of 1