



The AS-3000 A is a system switch with two high-quality coaxial relays, which are housed in a splash-resistant, UV-resistant, plastic housing. The bottom of the switch consists of a solid aluminum bracket with galvanized clamps for pole mounting. The AS-3000 A switcher allows you to mount the receiver pre-amplifier and the power amplifier, which do not require relay switching, directly on the mast near the antenna system. Alternatively, a power amplifier with relay switching can be installed in the shack when using this switch. The switch can be used in the frequency range from DC to 3000 MHz.

Assembly:

The AS-3000 A is mounted on the mast, with downwards directed sockets.

Electrical connection:

There are six N-sockets on the underside of the antenna switch, which allow the connection of the pre-amplifier e.g. LNA 23 MA or LNA ... MA and the power amplifier to the antenna system with a common drain. The DC - connection is made, using the enclosed 4-pin connector (Pin 1 and 2: Plus, Pin 3 and 4: Minus). We recommend using a shielded control cable (e.g. Aircell 7). An influence of external sources of interference as well as the own RF emission on the switch itself and on the connected power supply is thereby safely prevented. The F-jack is used to connect the power supply to the LNA using the supplied cable with F-plugs. An Ecoflex 15 cable with a non-transforming length is intended for connecting the TX OUT and ANT TX sockets. If you remove this cable, a power amplifier without relay switch can be connected to these sockets. This amplifier is installed near the switch and must have a

housing that is protected from environmental influences. All plugs should be protected against moisture by self-adhesive shrink tubing. The coaxial lines used in the system should be calculated and tailored so that they do not cause an impedance transformation.

Technical data AS-3000 A

Frequency range:	DC – 3000 MHz
Switch positions:	2
Insertion loss per 1 relay, typ.:	0,01 dB / 150 MHz 0,02 dB / 500 MHz 0,025 dB / 1000 MHz 0,03 dB / 2000 MHz <0,1 dB / 3000 MHz
Isolation:	>60 dB / 2,5 GHz
VSWR:	<1,2 : 1
Transferable power:	1000 W/2m; 800 W/70cm; 500 W/23cm; 250 W/13cm
Connection standard:	typ „N“
LNA DC Connection:	typ „F“

Datasheet

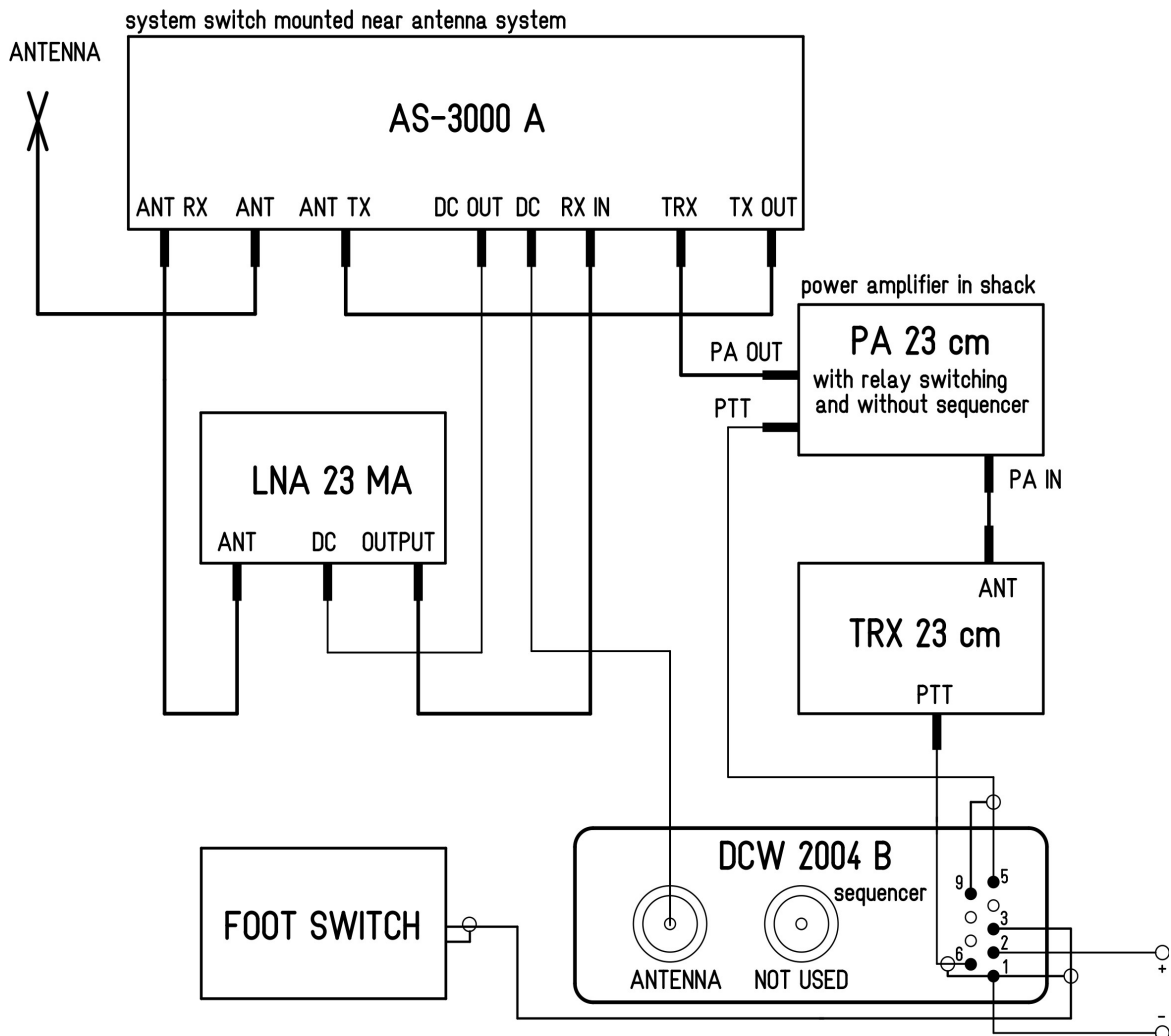


AS-3000 A / Item. no.: 5058



Downside view

Switching with DCW 2004 B Sequencer:



Datasheet



AS-3000 A / Item. no.: 5058

Sampels:

